



Harnesses

Height Safety Devices

Height Safety Devices Type HRA

Lanyards

Descent Devices

Anchorage Devices

**Tripod and Accessories**

Cantilever Arms and Accessories

Accessories

IKAR Kits

The IKAR DB-A Tripod series is a range of lightweight, transportable anchorage devices. The high quality and robust IKAR product can be used in a variety of applications and is rated for up to 2 persons for fall arrest and rescue. They have been tested to EN 795: 2012 and CEN/TS 1614. The DB-A tripod range is compatible with and complements the HRA range.

## Tripods DB-A1, DB-A2, DB-AR

**Tested as a load fastening device for PSEF in accordance with EN 795:1996/Class B**

The IKAR tripods were specially developed for mobile use in conjunction with IKAR rescue device type HRA.

They can be setup easily, does not have any loose parts and can be assembled and disassembled within minutes during an application.

The individually adjustable legs are advantageous as they can be used on uneven ground.

When the manouvering handle from the DB-AR is allowed to rest out the rubber roller is automatically braked.

- High functional stability, load-carrying capacity max. 2 persons
- Height adjustable to nearly double the amount
- Manouvering handle with automatically brake system
- DB-A1 and DB-A2 equipped with foldable rubber feet
- Applicable with all IKAR HRA Rescue Devices up to 42 m
- Stable construction
- High quality and reliability
- Corrosion-resistant coating
- Accessories mountable

### Optional configurations for DB-A1, DB-A2, DB-AR

- Manual Load Winch ALKO 901 for loads up to 300 kg with a maximum rope length of 20 m
- Mounting bracket for ALKO Winch
- HRA Height Safety Devices up to 42 m

### Optional accessories for DB-A1, DB-A2, DB-AR

- Tripod Carrying and Protection Bag

The pictures of IKAR tripods DB-A1, DB-A2 and DB-AR show the optional equipment with a IKAR HRA device and a load winch. These devices are not included in delivery.

Order no.	Description	Weight
41-53	Tripod DB-A1	19 kg
41-53k	Tripod DB-A1 short	16 kg
41-50	Tripod DB-A2 <b>THIS</b>	19 kg
41-51	Tripod DB-AR	28 kg



DB-A1



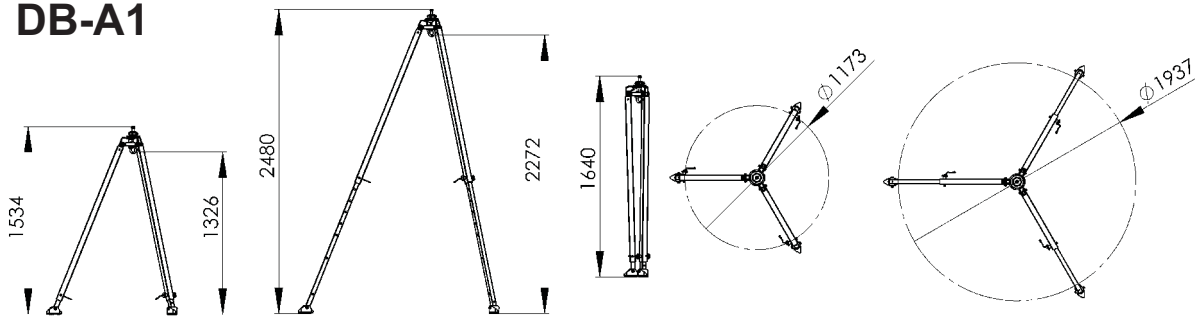
DB-A2  
**THIS**



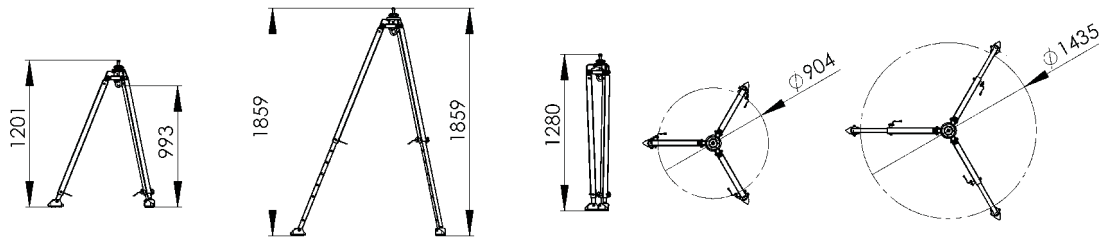
DB-AR

## Dimensions of Tripods DB-A1, DB-A2, DB-AR

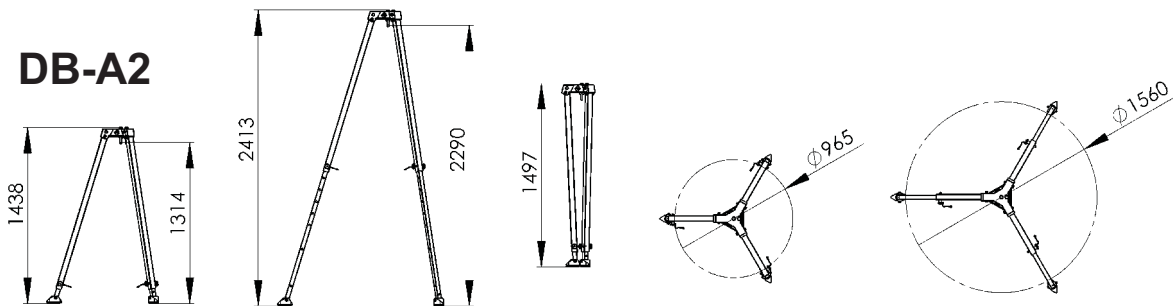
### DB-A1



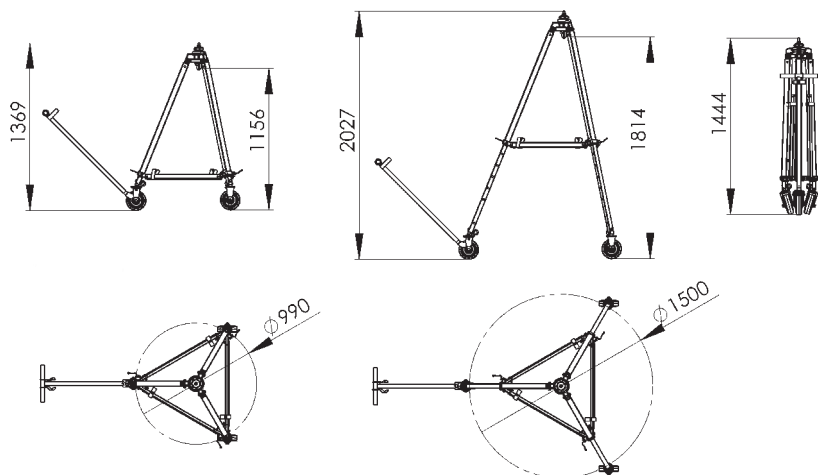
### DB-A1 Kurz



### DB-A2



### DB-AR



Harnesses

Height Safety Devices

Height Safety Devices Type HRA

Lanyards

Descent Devices

Anchorage Devices

**Tripod and Accessories**

Cantilever Arms and Accessories

Accessories

IKAR Kits